

Vivenis

3-hole basin mixer 90 with pop-up waste set

Surfaces: **Chrome** Article Number: **75033000**



Description

product features

- consists of: 3-hole basin mixer, waste set
- ComfortZone 90
- projection 150 mm
- spray type: WaterfallStream
- maximum flow rate at 3 bar: 5 l/min
- ceramic valves hot/ cold 90°
- suitable for continuous flow water heaters
- pop-up waste set G 1¼
- material waste set: metal
- connection type: G ¾ connections
- connection dimension: DN15

Technology



Design awards

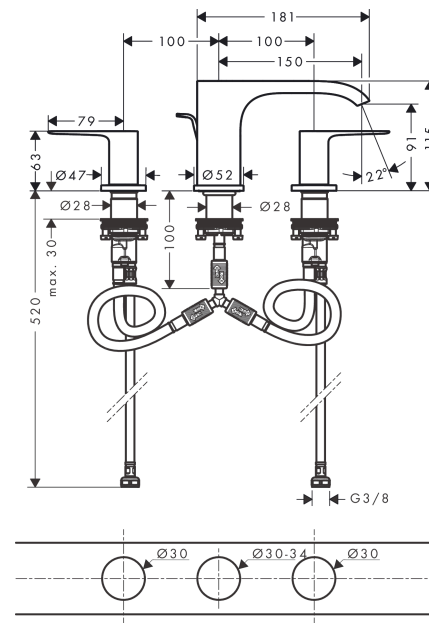


reddot winner 2021

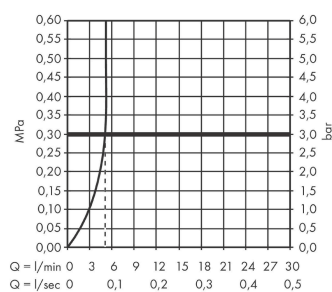
Product image



Scale drawing



Flowchart

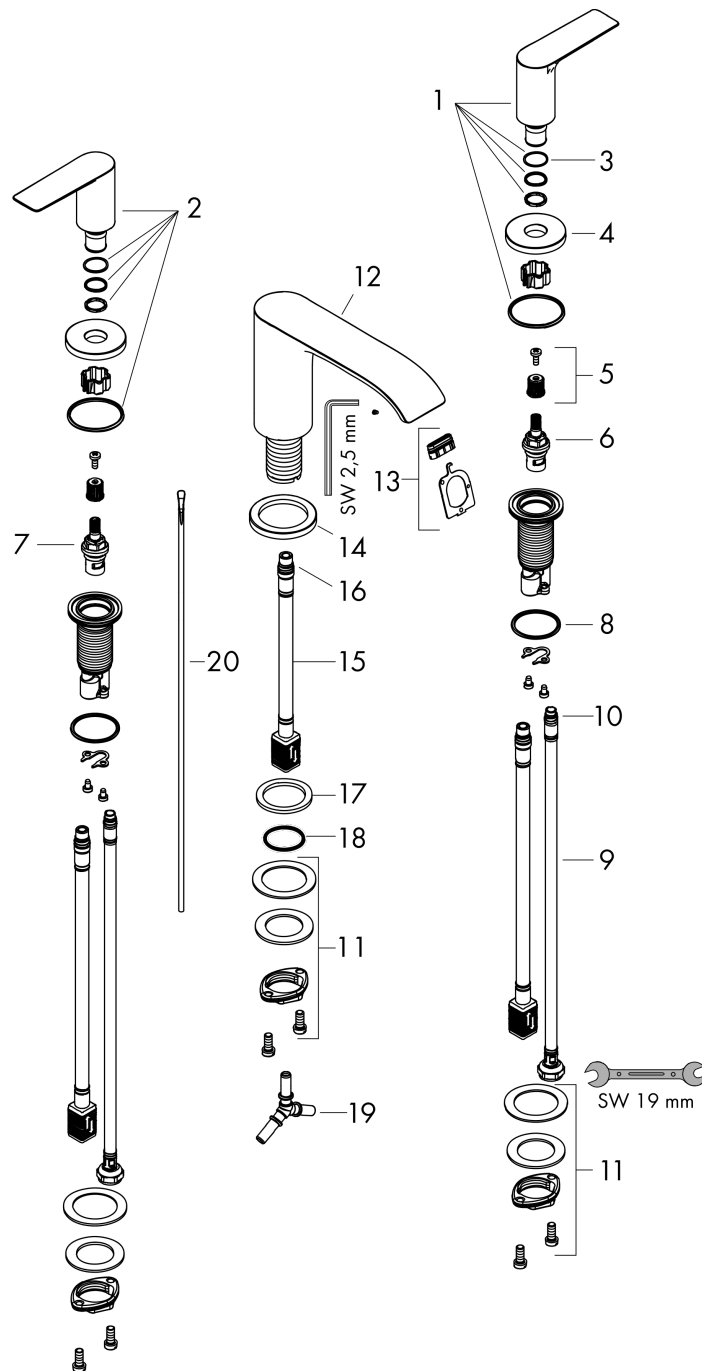


Vivenis
3-hole basin mixer 90 with pop-up waste set
 Surfaces: **Chrome** Article Number: **75033000**



Exploded Drawing

Year of production: >06/21



Vivenis

3-hole basin mixer 90 with pop-up waste set

Surfaces: **Chrome** Article Number: **75033000**



Spare part list

Year of production: >06/21

| Pos. | Description | Article Number | Price | PU |
|------|-------------------------------------|----------------|-------|----|
| 1 | handle for cold water | 94307000 | - | 1 |
| 2 | handle for hot water | 94306000 | - | 1 |
| 3 | O-Ring 14x1,5 | 98201000 | - | 1 |
| 4 | escutcheon for handle | 92956000 | - | 1 |
| 5 | handle fixing set | 98932000 | - | 1 |
| 6 | shut off unit left closing | 95366000 | - | 1 |
| 7 | shut off unit right closing | 98817000 | - | 1 |
| 8 | O-ring 33x2,5 | 92907000 | - | 1 |
| 9 | connection hose 450 mm M8x0,75 G3/8 | 97206000 | - | 1 |
| 10 | O-ring 6,6x1,6 | 93019000 | - | 1 |
| 11 | fixing set (Ø 28) | 92909000 | - | 1 |
| 12 | spout cpl. | 94308000 | - | 1 |
| 13 | spray former | 94275000 | - | 1 |
| 14 | escutcheon for spout | 94309000 | - | 1 |
| 15 | connection hose 200 mm M10x1 | 92913000 | - | 1 |
| 16 | O-ring 8x1,75 | 97827000 | - | 1 |
| 17 | flat seal | 98749000 | - | 1 |
| 18 | O-ring 26x4 | 92191000 | - | 1 |
| 19 | hose connection angel | 92905000 | - | 1 |
| 20 | pull rod | 96657000 | - | 1 |
| a | pop up waste | 94139000 | - | 1 |